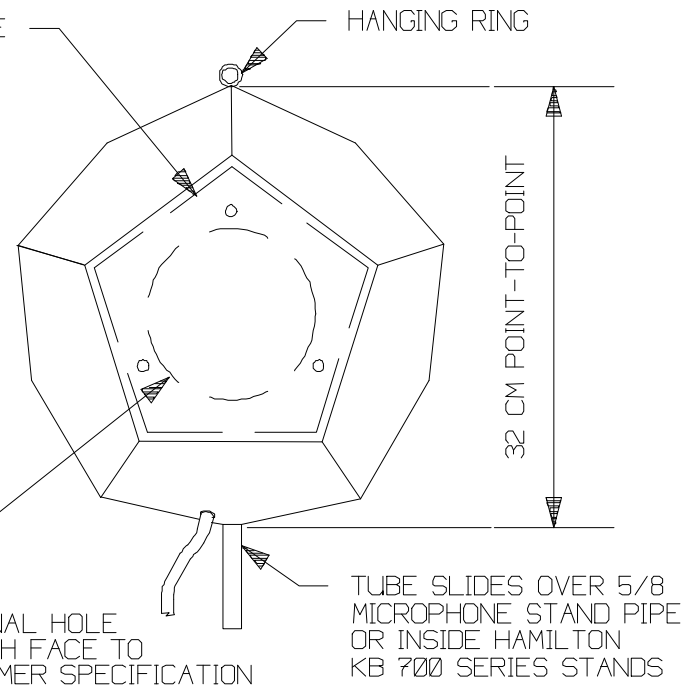


FULL-SIZE TEMPLATE FOR ONE FACE
(2.5, 5.0 AND 7.5 CM RADII CIRCLES SHOWN)

OPTIONAL REMOVABLE FACE
FOR INSIDE MOUNTING OF
LOUDSPEAKERS



OPTIONAL HOLE
IN EACH FACE TO
CUSTOMER SPECIFICATION

HANGING RING

32 CM POINT-TO-POINT

TUBE SLIDES OVER 5/8
MICROPHONE STAND PIPE
OR INSIDE HAMILTON
KB 700 SERIES STANDS

BASE CONFIGURATION:

MATERIAL: 3.18 MM 5052-H32 MARINE GRADE
ALUMINUM PLATE - EDGES TIG WELDED
FINISH: SANDED AND BEAD BLASTED
FOLLOWED BY ZINC CHROMATE PRIMER
FACE CENTER PILOT HOLES: 1.6 MM DIA
EMPTY WEIGHT: 2KG
EMPTY VOLUME: 11.66 LITERS

REL	9/24/93	RHC	INITIAL RELEASE
REV	DATE	BY	DESCRIPTION
DODECAHEDRON SHELL			
DATE	93.07.30	OMNIDIRECTIONAL RADIATOR FOR 12 LOUDSPEAKERS	
BY	RHC		
CHECKED			
PROJECT	CHRG		
SCALE	NONE		
Bang-Campbell Associates Woods Hole, MA 02543-0047			