

Welcome to the Brecht Collection's Old Delivery Truck project.

Print on card stock and leave as is or color with pencils, markers or paints.

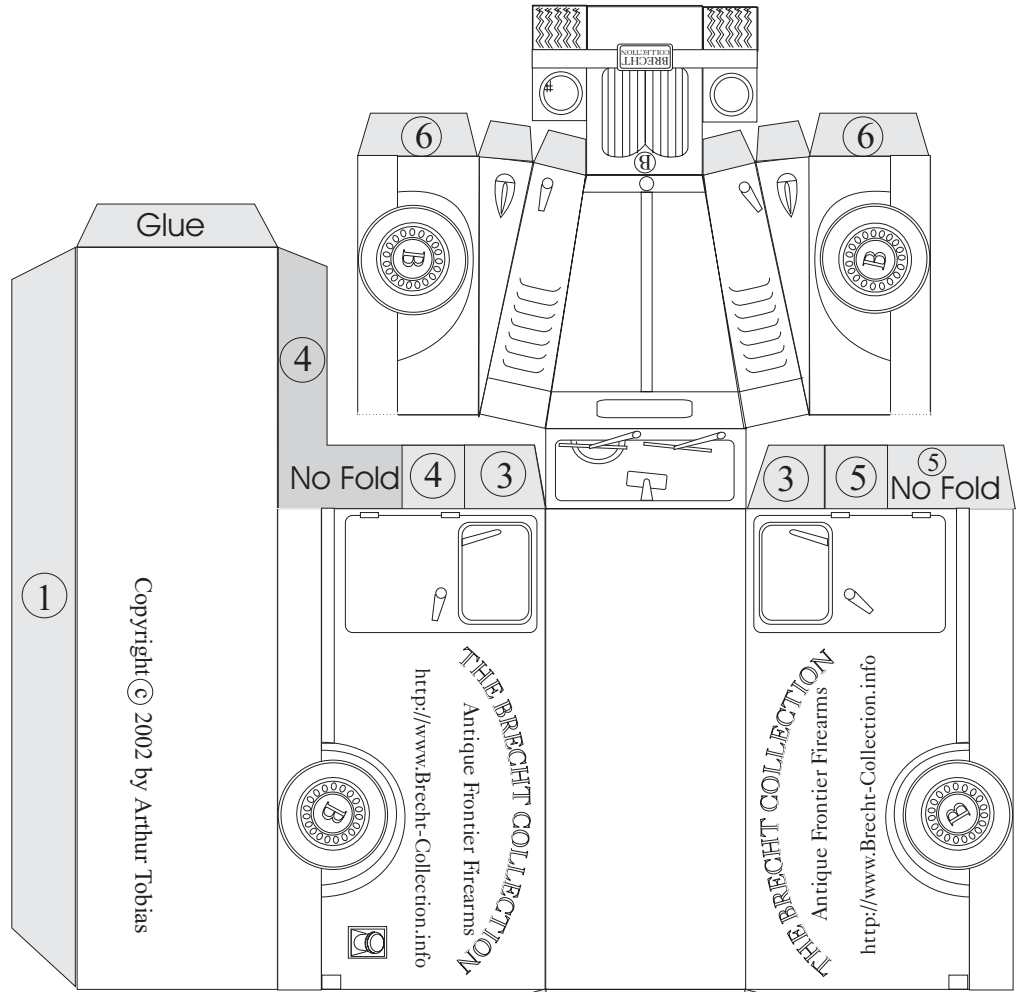
- Fold all gray tabs except as noted. All gray tabs receive glue. Make down folds against a desk edge.

- There are two areas that are folded up; at the lower windshield and at the side-hood/fender line. Use a straight edge.

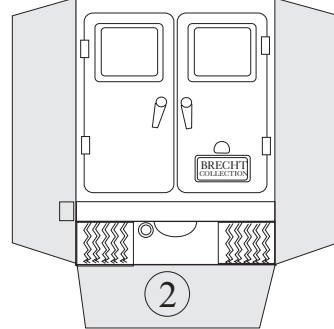
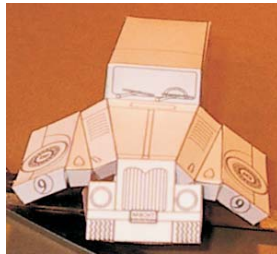
- Use a fast-setting cement. White glue applied thinly with a tooth pick is recommended.

- Don't Hurry. Allow each section to set before proceeding.

- Use of a pencil or similar object to reach inside and press glued tabs down is recommended.



3



1



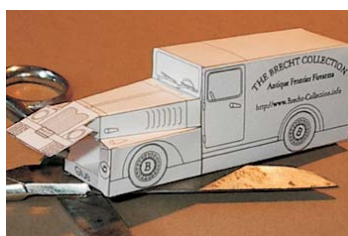
5



2



4



6

